

sterti[®] **KONO**



**SK 2030:
2-column lift
3000 kg**

FLEXIBLE IN USE FROM
A SPORTS CAR TO A LIGHT
COMMERCIAL VEHICLE

stertil **KONI**

Invest in a long, problem-free future

Efficiency, safety and quality are the key words in the modern workshop. Words that you can put into practice every day with the SK 2030 from Stertil-Koni. This 2-column lift has double telescopic lifting arms. This combined with a pad lifting height of only 90 mm allows the SK 2030 to lift from sports cars through to light commercial vehicles. With its lifting height of 2.02 m even tall fitters can work in comfort and safety. Thanks to a minimum of moving parts this powerful 2-column lift is hardly subject to wear. In short: whoever invests in the SK 2030 can look forward to a long and problem-free future.



SK 2030: hydraulic, 2-



A surplus of plus points:



Mechanical locking

The patented, mechanical locking operates independently of the lifting system and is always active.

Low lifting fitting height

An extremely low lifting pad height of only 90 mm.

Automatic arm locking

Patented, automatic arm locking, featuring these most important advantages:

- lifting arms that can be positioned very accurately
- always functional
- reliable and requires no maintenance



column lift 3000 kg

Hydraulic lifting system

Hydraulic lifting system with a minimum of moving parts. Such wear-susceptible parts as spindles, nuts or cables are not used. This all results in an exceptionally long life.

Moreover, Stertil gives a 5-year guarantee on the low-maintenance chain. Also, parts will be available for 25 years after the end of production.

Patented guide wheels

The patented guide wheels are self-lubricating and therefore require no maintenance. Stertil guarantees them for life.

High stability

High stability from the specially designed base plates. Specially-formed columns for greater strength and rigidity.



Short lifting time

The SK 2030 works quickly (lifting and lowering times are only 25 seconds) with comprehensive testing of 50,000 lifting cycles at full load.

Unique lifting height

With a 2.02 metre lifting height even tall fitters can also work in comfort and safety.

Maximum safety

Automatic protection against overloading. The automatic locking works independently of the lifting system.



Optimal accessibility

The fully open design combined with the asymmetrical support of the lifting arms gives you a maximum of accessibility. The doors can be opened without problems.

Telescopic lifting arms

The double telescopic lifting arms have been developed to allow both small cars and light commercial vehicles to be raised on the prescribed lifting points. Thanks to the very low lifting pads the SK 2030 is also suitable for lifting such lowered vehicles as sports cars.

Well thought-out

A handy tool-holder on the short arm.

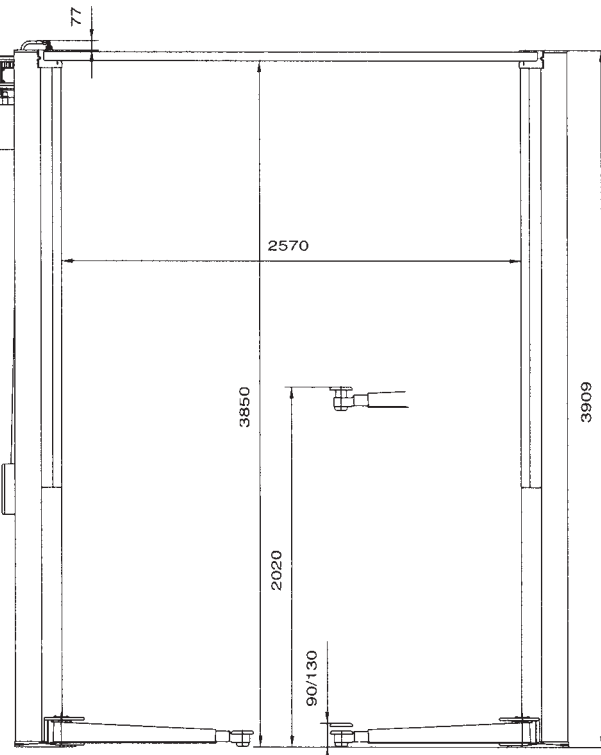
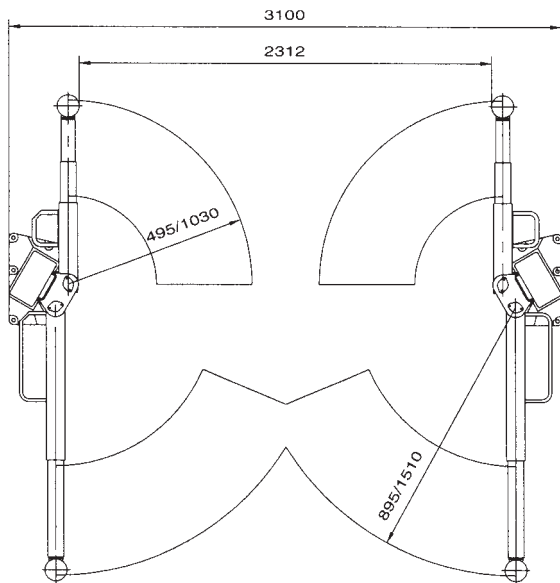
EX
BLE
X
I
B
L
E
X
I
B
L
E
X
I
B
L
E

Options:

- Special lifting fittings for various vehicles
- Lighting set (2 fittings)
- SK 2030, version lowered by 20 cm, lifting height 1.92 m
- SK 2030, version lowered by 40 cm, lifting height 1,82 m
- SK 2030, 30 cm wider version
- Soft lowering valve: downward movement starts slowly when lowering a vehicle
- Tool containers for long lifting arms
- Extra control cabinet (for operation at both columns)
- Double power socket
- RAL colour of your choice

Specifications:

Lifting system:	hydraulic
Lifting capacity:	3000 kg
Lifting time:	25 sec.
Lifting height:	2.02 m
Motor power:	3.6 kW
Lifting pad height:	90 - 130 mm



Maximum safety:

- CE certificated and approved by the German TÜV
- Automatic height stop
- "Dead man's handle" control during raising and lowering
- Automatic stop at maximum lifting height
- Automatic arm locking
- Automatic operation of the electromagnetic locking device (prevents unwanted lowering)
- Automatic overload protection

More information?

For more or specific information about the SK 2030, or one of the other quality products from Stertil-Koni, please contact us for further assistance.



stertil® **KONI**

Stertil B.V., P.O. Box 23, 9288 ZG Kootstertille (The Netherlands) Tel. +31(0)512 334444 Telefax +31(0)512 334430
E-mail: info@stertil.nl Internet: www.stertil.nl



A MEMBER OF THE KROYMANS A.R.M.-STOKVIS GROUP