

KONO

steriti[®]



**KS 2038:
Hydraulic 2-column
vehicle lift 3,800 kg**



A garage operates under two hard and fast rules: "time is money" and "a deal is a deal". These are

the very reasons why the lift systems and accessories from Stertil-Koni are more and more in

demand. With this ultra-reliable, user-friendly equipment, you can always live up to your part of

the bargain. Parts are kept in stock for at least

25 years after production. Stertil-Koni's products offer

creative solutions and are characterised by an

exceptionally good price to quality ratio. This is

accomplished by using standard components and an

Active worldwide

efficient production process involving welding robots,

CAD systems and other advanced technologies intended to

lower production costs, whilst enhancing quality.

The products from Stertil-Koni set the trends.

And Stertil-Koni was the world's first lift system

manufacturer to acquire the ISO 9001 accreditation

certificate. No wonder, then, that Stertil-Koni products are

increasingly being exported to other countries. In addition

to its own sales organisation in Germany, Stertil-Koni

also has branches in the Netherlands, France, Poland,

Great Britain and the United States. The innovative

products from Stertil-Koni such as its mobile column lifts,

in-ground lift systems and 4-column lifts are paving the

way for efficiency and flexibility in garage operations.

KS 2038: hydraulic



The KS 2038 has been designed especially for lifting the medium range of vehicles, from passenger cars, MPVs, SUVs, all-wheel drive vehicles, to light commercial vehicles.

The KS 2038 has a lifting capacity of 3.8 tons, has two hydraulic cylinders and an electronically controlled synchronisation system. The lift can be supplied in three different height versions, meaning that you can adapt the lift to your workshop or range of vehicles.



Hydraulic 2-column vehicle lift 3,800 kg



High stability

The lift is highly stable due to the specially- designed base plates. The specially-shaped columns provide even greater strength and rigidity. This allows the KS 2038, in contrast to other lifts, to be placed on any normal workshop floor without modifications.

Unique lifting height and speed

Tall fitters can also work comfortably due to a maximum lifting height of 2.00 metres. The brief raising and lowering time of only 24 seconds improves the speed of work.

Maximum safety

Automatic protection from overloading by means of a hydraulic excess pressure valve. The patented, mechanical locking works independently of the lifting system and is always active. The KS 2038 is also equipped with a height limit switch for very high vehicles and an automatic stop when the highest position is reached.

Automatic arm locking

Patented, automatic arm locking offers the following benefits:

- Lifting arms that can be positioned very precisely.
- The arms unlock automatically in the lowest position.
- Reliable and needs no maintenance.

Optimal accessibility

The completely threshold-free design combined with the asymmetric support for the lifting arms gives you maximum accessibility. There are no problems when opening doors, this simplifies getting in or out of the vehicle and working on the interior. The threshold-free design gives you full access under the vehicle with for example, a gearbox jack or a tools trolley.

Hydraulic lifting system

A hydraulic lifting system with a minimum of moving parts. Parts subject to wear, such as spindles, nuts or cables are not used. This all results in an exceptionally long life.

The Stertil-Koni lifts

are tested for 50,000 lifts at full load.

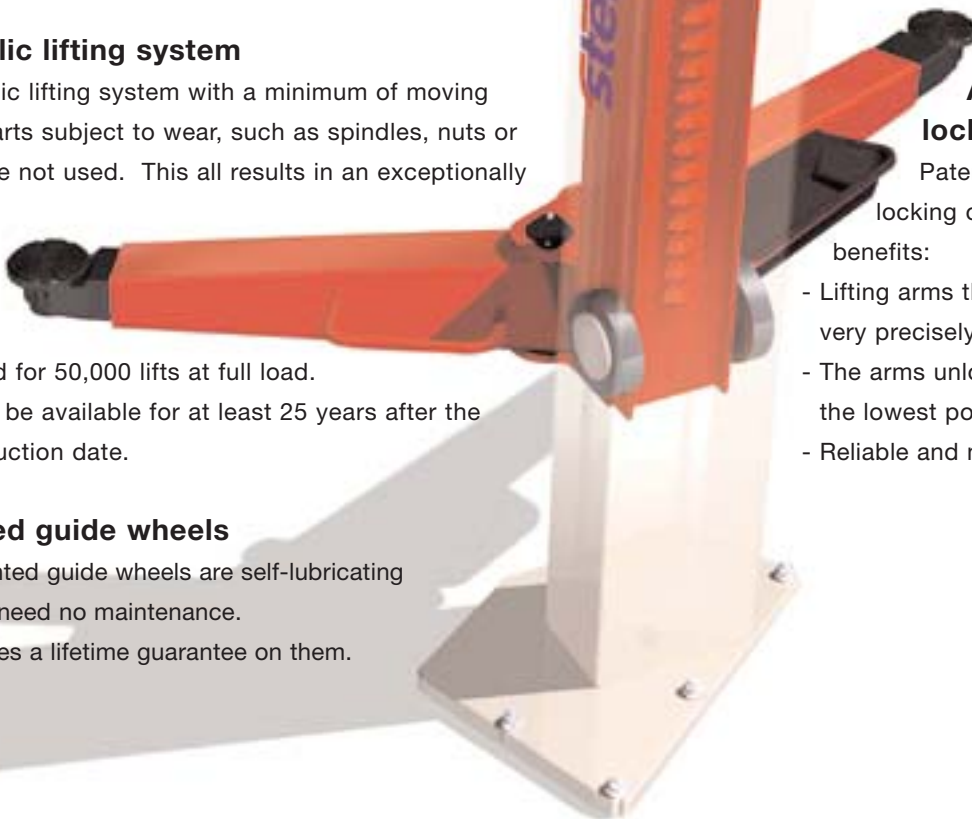
Parts will be available for at least 25 years after the last production date.

Patented guide wheels

The patented guide wheels are self-lubricating and thus need no maintenance.

Stertil gives a lifetime guarantee on them.

PROFITABLE



Options:

- Lighting set (2 fittings).
- Special lifting fittings for various vehicles.
- Soft lowering valve: downward movement starts slowly when lowering the vehicle.
- Extra control cabinet
(for operating from both columns).
- A 30 cm wider version.
- The lift can be supplied in three different heights.
- Choice of any RAL colour.

Specification:

Lifting capacity:	3,800 kg
Lifting height:	2000 mm
Pick up height:	120 – 163 mm
Lifting time:	24 sec.
Motor power:	3.6 kW

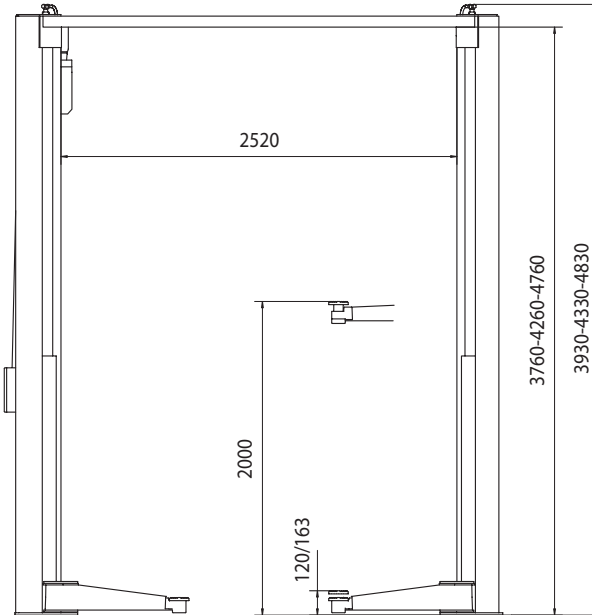
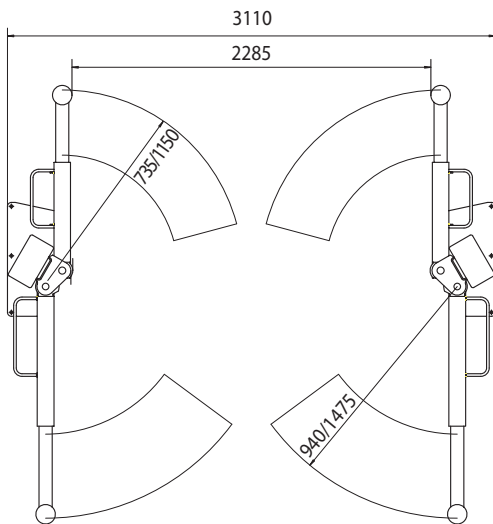
KS 2038:

Maximum safety:

- CE certificated and approved by The Netherlands TNO.
- Limit switch when maximum height is reached.
- Dead man's handle operation when raising and lowering.
- Automatic stop at maximum lifting height.
- Automatic arm locking, the arms lock automatically during lifting.
- The electromagnetic locking is always active.
- Automatic protection from overloading.

More information?

For more, or for specific information about the KS 2038, or one of the other quality products from Stertil-Koni, you can contact us at any time. We will be happy to be of service.



stertil[®] KONI

Stertil B.V., P.O.Box 23, 9288 ZG Kootstertille (The Netherlands) Tel. +31(0)512 334444 Telefax +31(0)512 334430
E-mail: info@stertil.nl Internet: www.stertil.nl



A MEMBER OF THE KROYMANS A.R.M.-STOKVIS GROUP