

# Specifications & measurements

Vehicle lift type: ST 4032F

Lifting system: Hydraulic

Capacity: 3.200 kg

Lifting time: 23 Sec.

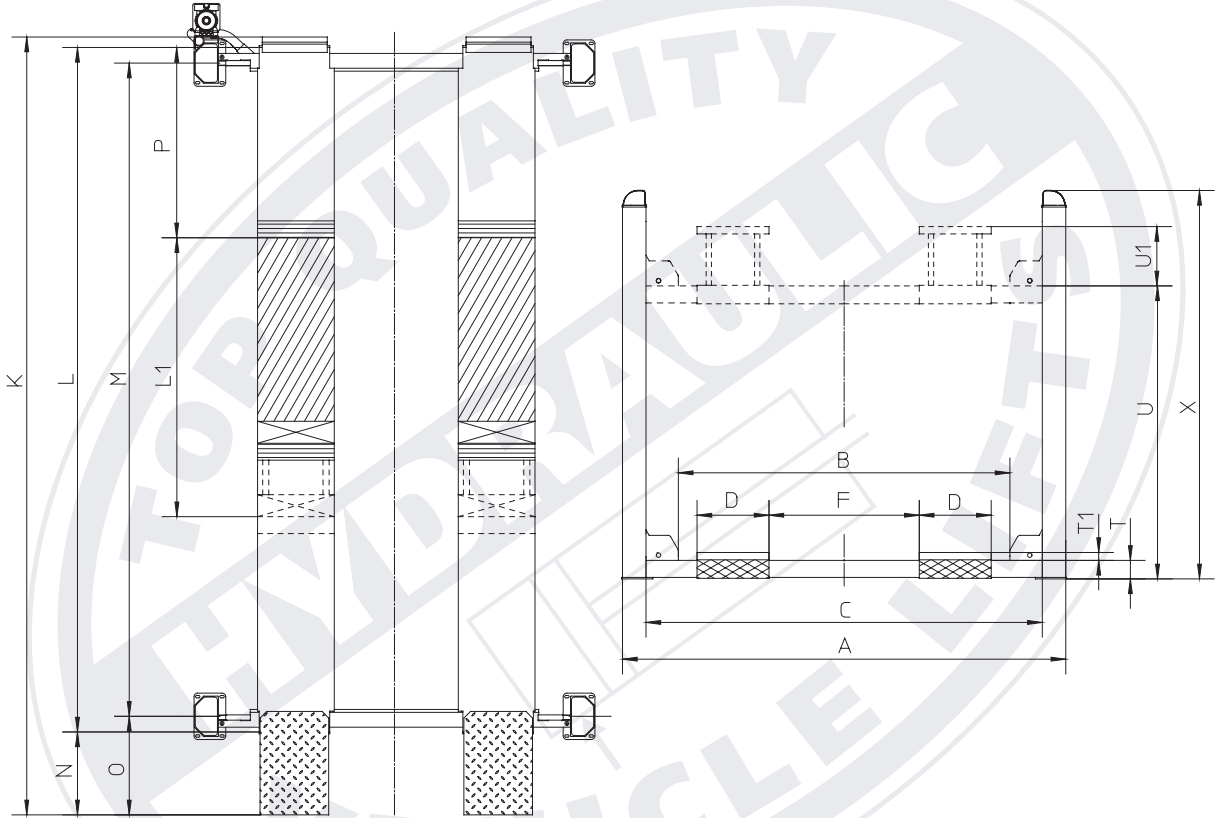
Lifting height: 2,000 mm

Drive-on height: 130 mm

Lifting time wheel-free system: 8 Sec.

Lifting height wheel-free system: 450 mm

Drive-on height wheel-free system: 57 mm



Model	A	B	C	D	F max	K	L	L1 max	L1 min	M	N	O	P	T	T1	U	U1	X
ST4032F	2730	1955	2400	520	870	5470	4665	1900	1400	4450	730	840	1300	130	57	2000	450	2650
ST4032F-S	2730	1955	2400	520	870	5220	4415	1900	1400	4200	730	840	1300	130	57	1875	450	2650

