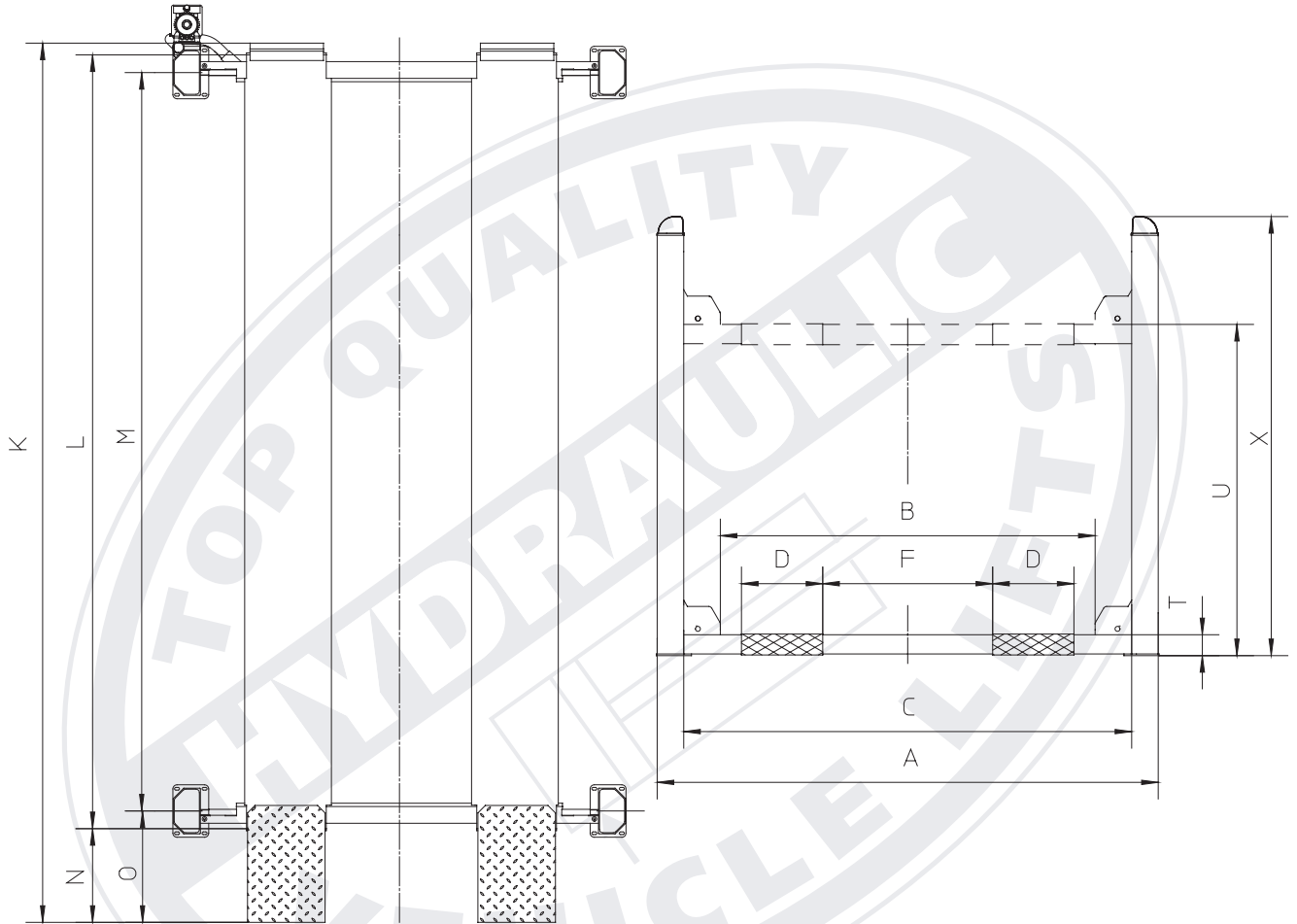


Specifications & measurements

Vehicle lift type: ST 4032
 Lifting system: Hydraulic
 Capacity: 3.200 kg
 Lifting time: 23 Sec.
 Lifting height: 2,000 mm
 Drive-on height: 130 mm



Model	A	B	C	D	F max	K	L	M	N	O	T	U	X
ST4032	2730	1955	2400	520	870	5470	4665	4450	730	840	130	2000	2650
ST4032-S	2730	1955	2400	520	870	5220	4415	4200	730	840	130	1875	2650

