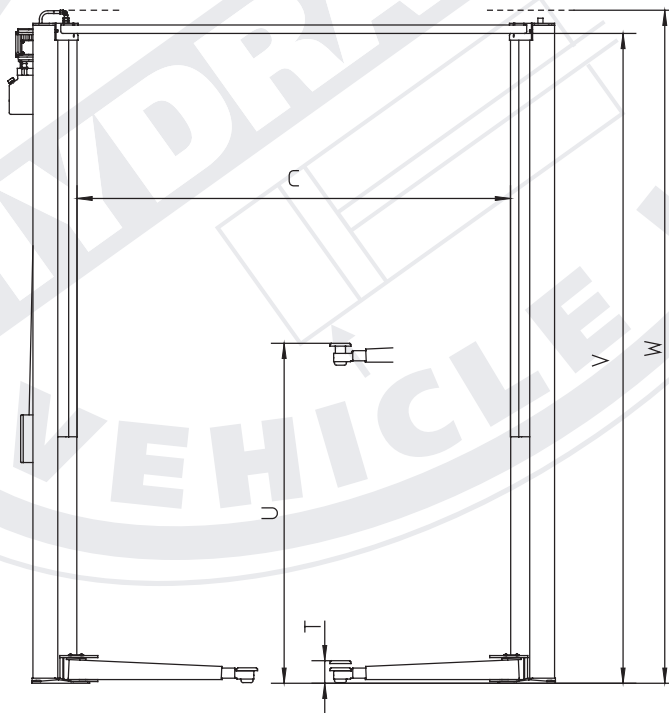
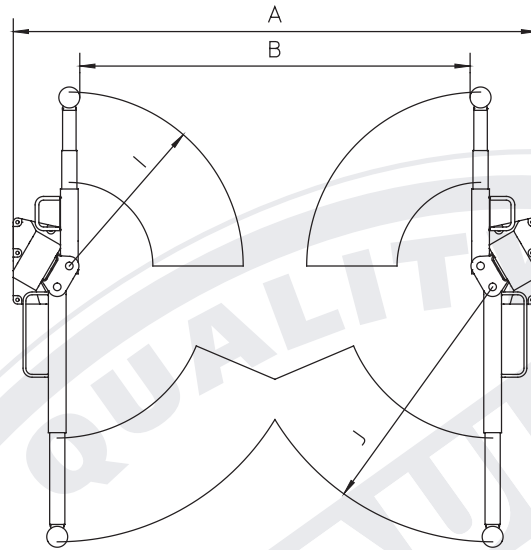


# Specifications & Measurements

Vehicle lift type: SK 2030  
 Lifting system: Hydraulic  
 Capacity: 3.000 kg  
 Lifting time: 25 Sec.  
 Lifting height: 2,020 mm  
 Pick-up height: 90 mm



Model	A	B	C	I	J	T	U	V	W
SK2030	3100	2312	2570	495/1030	895/1510	90/130	2020	3850	3986
SK2030 -200MM	3100	2312	2570	495/1030	895/1510	90/130	1920	3650	3786
SK2030 -400MM	3100	2312	2570	495/1030	895/1510	90/130	1820	3450	3586
SK2030 +400MM	3100	2312	2570	495/1030	895/1510	90/130	2020	4250	4386

