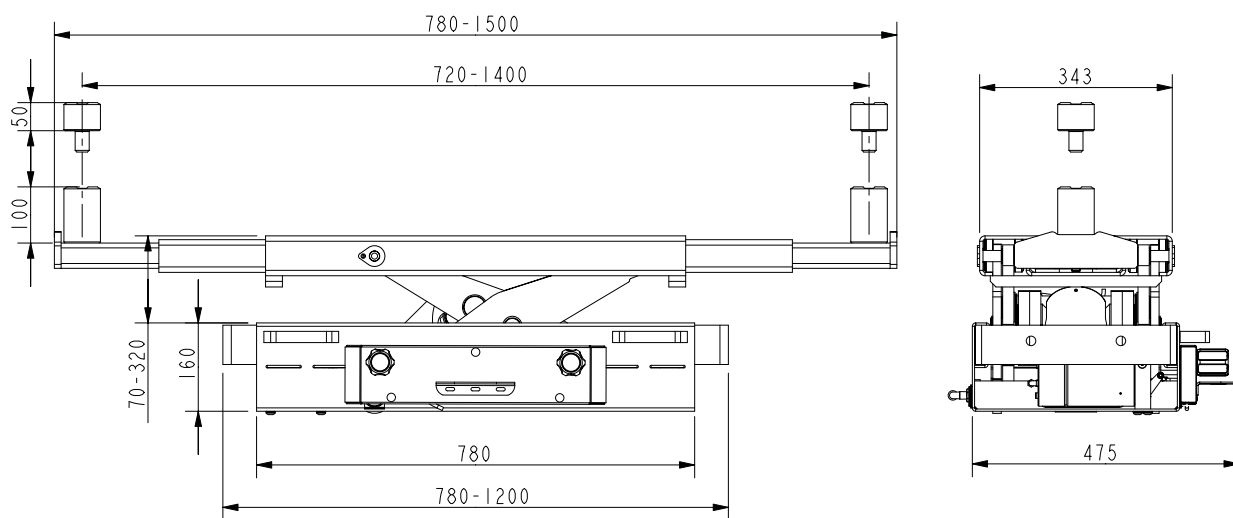


# Jacking beam JB40PHL



**Type: JB40PHL**  
**Capacity: 4.000 kg**  
**Lifting system: Air-Hydraulic**  
**Min. height: 230 mm**  
**Max. height: 480 mm**  
**Lifting height: 250 mm**

