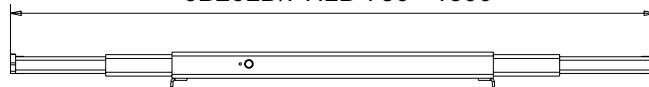


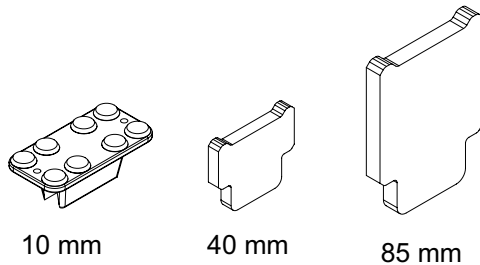
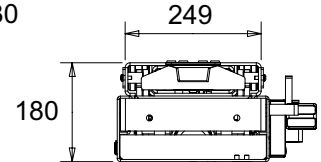
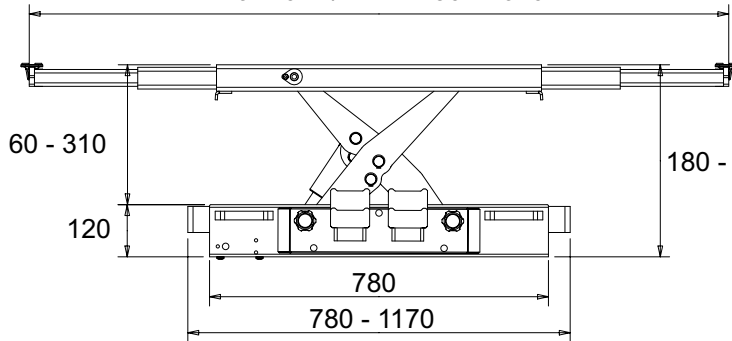
# Jacking beam JB20LD/PHLD & JB26LD/PHLD



JB26LD/PHLD 780 - 1500



JB20LD/PHLD 750 - 1610



Standard pick-up extensions



Optional adjustable screw spindle with rubber pick-up pad

Type: JB20LD/JB26LD  
Capacity: 2.000kg/2.600 kg  
Lifting system: Double hand hydraulic  
Min. height: 180 mm  
Max. height: 430 mm  
Lifting height: 250 mm

Type: JB20PHLD/JB26PHLD  
Capacity: 2.000kg/2.600 kg  
Lifting system: Air-hydraulic  
Min. height: 180 mm  
Max. height: 430 mm  
Lifting height: 250 mm